

Linear Guide Clamp

Description

| | | | | |
|----------------------------------|---|-------------|---|---------------------------|
| LMR | - | 0816 | - | <input type="checkbox"/> |
| LBR | - | 1428 | - | <input type="checkbox"/> |
| Clamp Type | | Open Range | | Fixing Way |
| LMR: Micro LBR: Medium /Heavy | | | | K: Knob C: Clamp Lever |



Part List

| P/N | Part Name | Q'ty | Material | Surface Treatment |
|-----|--------------|------|----------|----------------------------|
| 1 | Housing | 1 | S45C | Electroless Nickel Plating |
| 2 | Block | 2 | | Black Oxidie |
| 3 | Hand Thread | 1 | K.T. | Black |
| 4 | Lever / Knob | 1 | | |

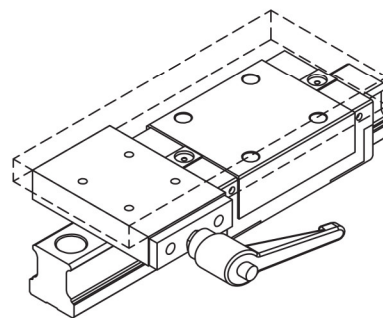
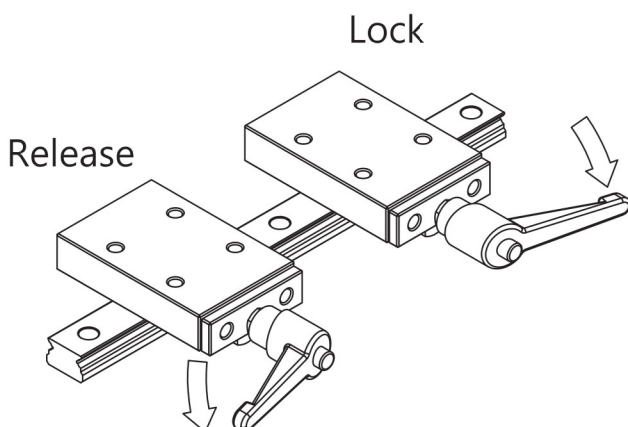
LMR-0816-

- Tightening Torque(Reference)
 - Tightening Torque : 2.5N.m
 - Retaining Force : 400N
- Opening Range of Contacts
 - 8~16 mm

LBR-1428-

- Tightening Torque(Reference)
 - Tightening Torque : 2.5N.m
 - Retaining Force : 400N
- Opening Range of Contacts
 - 14~28mm

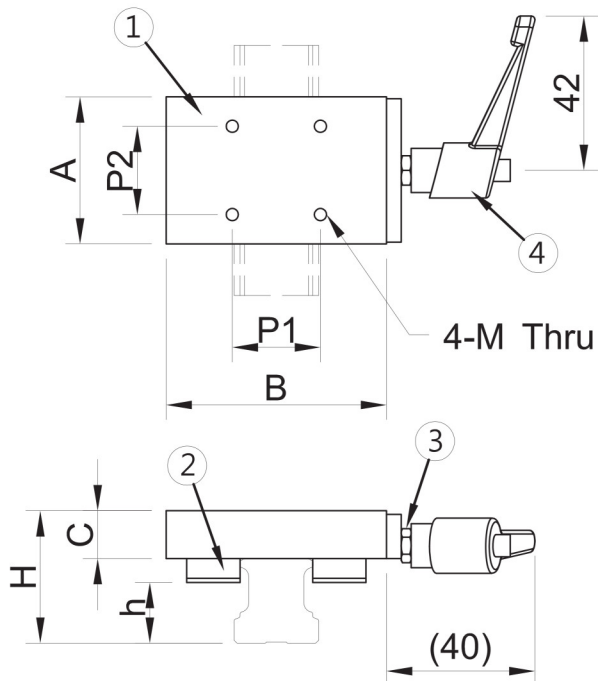
Instruction



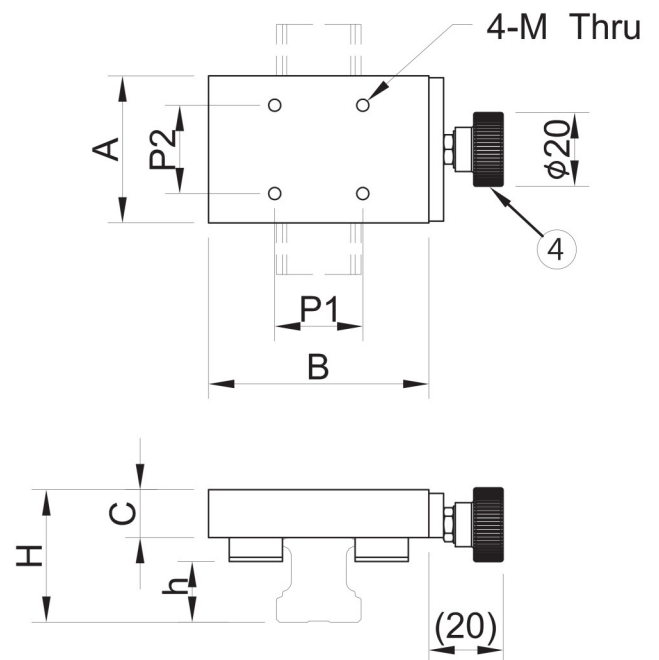
- Use connecting board to combine clamp and block, and then you can locate and lock the block as your request

LMR-0816-□

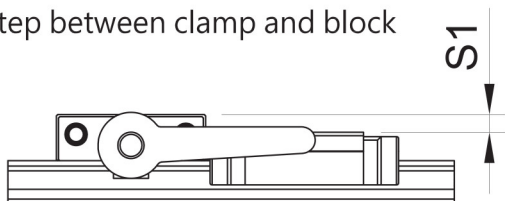
Clamp Lever Type



Knob Type



Step between clamp and block



■ Specifications LMR-0816-□

| Guide Model | S1 | A | B | C | P1 | P2 | H | h | M |
|-------------|----|----|----|------|----|----|----|-----|----|
| MR9MN | 6 | 34 | 45 | 10.5 | 24 | 24 | 16 | 1.5 | M4 |
| MR9ML | | | | | | | | | |
| MR12MN | 5 | 34 | 45 | 10.5 | 24 | 24 | 18 | 3.5 | M4 |
| MR12ML | | | | | | | | | |
| MR15MN | 4 | 34 | 45 | 10.5 | 24 | 24 | 20 | 5.5 | M4 |
| MR15ML | | | | | | | | | |

This clamp is for micro linear guides which's width is 9, 12, 15mm.